

DVM100056

Panel-mount High Accuracy DC Digital Voltage Meter

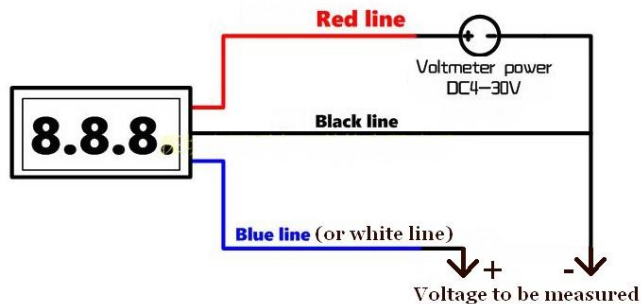
Features

- Range: 0 - 100V
- Accuracy: 0.1%
- Power supply range: 4 - 30V
- Current consumption: < 8mA
- Display: 3-digit 0.56" LED
- Input impedance: ~100K
- Refresh rate: ~200ms
- Dimension: 48mm X 29mm X 26mm (1.89" X 1.14" X 1.02")
- Weight: 10g
- Color: Blue/Red



How To Use

Connect power supply and measurement leads as illustrated in the drawing below.



Dimensions

