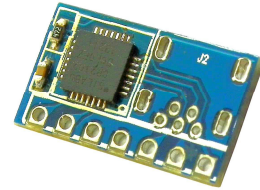


JYE119

Uart-USB Converter

Features

- Ø Built with CP2102 from Silabs.
- Ø Supported baudrate > 576000 bps
- Ø Support Windows, Mac OSX, Linux, and more
- Ø Standard 0.1" pin pitch
- Ø Only 0.7" X 0.4" in size



Schematic

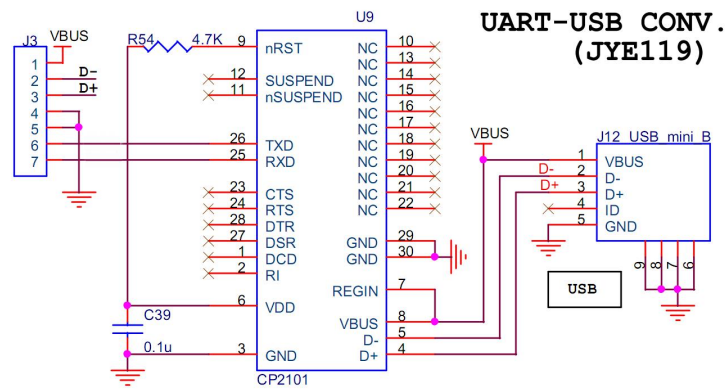


Fig. 1

Connection

Please see Fig. 2 and Fig. 3 for correct connection. Special attention is asked to the directions of TXD and RXD.

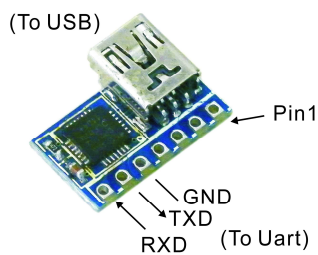


Fig. 2

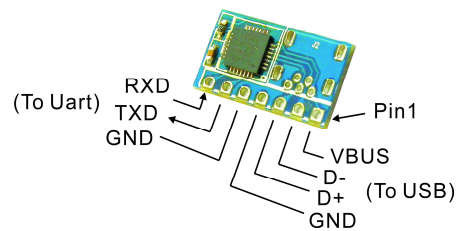


Fig. 3

Uart Signal Level

The signal level on Uart side is TTL level. **Do not connect to signals with voltage higher than 5.5V directly.**

Driver

Appropriate driver is required in order for PC to be able to work with CP2102. The driver for CP2102 can be downloaded at the following link.

<https://www.silabs.com/products/mcu/Pages/USBtoUARTBridgeVCPDrivers.aspx>

Reference

CP2102 datasheet <http://www.silabs.com/Support%20Documents/TechnicalDocs/CP2102-9.pdf>

Revision History

Version	Date	Descriptions
01	2016.01.05	First created